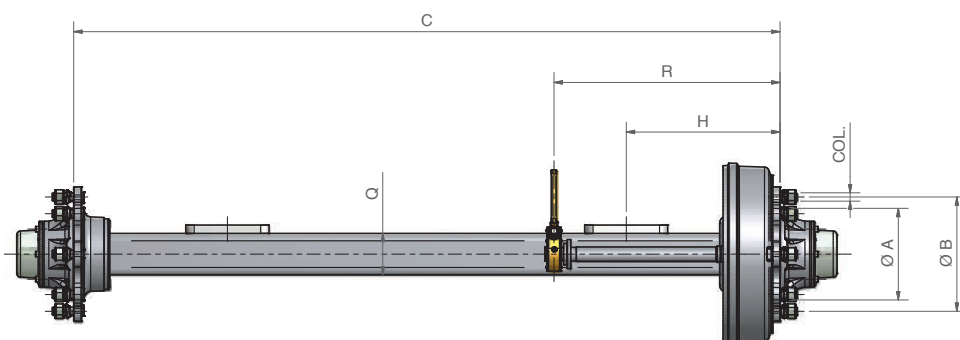
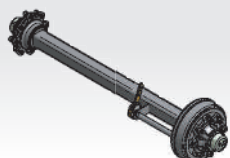


## Assali quadri \_ Square axles

25-40 km/h



QUADRI - SQUARES



CODICE Code	Q QUADRO Square (mm)	25 km/h			40 km/h			H SBALZO Overhang (mm)
		2 ASSI Axles (kg) 	MONO Mono (kg) 	TANDEM Tandem (kg) 	2 ASSI Axles (kg) 	MONO Mono (kg) 	TANDEM Tandem (kg) 	
A03004412	30	950	950	850	900	900	800	135
A03504412	35	950	950	850	900	900	800	215
A03504420	35	1100	1100	950	900	900	850	185
A04004431	40	1050	1050	950	1000	1000	900	295
A04004440	40	1450	1450	1300	1300	1300	1200	210
A04005520	40	1900	1900	1700	1750	1750	1600	160
A04505530	45	2500	2500	2100	2100	2100	1950	175
A05005540	50	3300	3300	2800	2800	2800	2500	180
A05006540	50	3300	3300	2800	2800	2800	2500	180
A05505540	55	3300	3300	2800	2800	2800	2500	240
A05506630	55	4000	4000	3500	3500	3500	3000	200
A06006640	60	4800	4800	4200	4200	4200	3800	215
A07006645	70	6000	6000	5100	5100	5100	4300	275
A07006661	70	7200	7200	6700	6700	6700	6000	225
A07008661	70	7200	7200	6700	6700	6700	6000	225
A08006661	80	7200	7200	6700	6700	6700	6000	340
A08008661	80	7200	7200	6700	6700	6700	6000	340
A08006668	80	8200	8200	7400	7700	7700	7000	300
A08008668	80	8200	8200	7400	7700	7700	7000	300
A08006671	80	10000	10000	9000	9200	9200	8500	245
A08008671	80	10000	10000	9000	9200	9200	8500	245
A09006671	90	10000	10000	9000	9200	9200	8500	350
A09008671	90	10000	10000	9000	9200	9200	8500	350
A09008880	90	11800	11800	10000	10000	10000	9500	295
A09010880	90	11800	11800	10000	10000	10000	9500	295
A10008880	100	11800	11800	10000	10000	10000	9500	400
A10010880	100	11800	11800	10000	10000	10000	9500	400
A10008899	100	14000	14000	12500	13000	13000	11500	340
A10010899	100	14000	14000	12500	13000	13000	11500	340
A11010991	110	15000	15000	14000	14000	14000	13000	410
A11010994	110	16000	16000	14500	15000	15000	14000	380
A12008880	Tub. 120	11800	11800	10000	10000	10000	9500	430
A12010880	Tub. 120	11800	11800	10000	10000	10000	9500	430
A12008899	Tub. 120	14000	14000	12500	13000	13000	11500	360
A12010899	Tub. 120	14000	14000	12500	13000	13000	11500	360
A13008899	Tub. 130	14000	14000	12500	13000	13000	11500	480
A13010899	Tub. 130	14000	14000	12500	13000	13000	11500	480
A13010991	Tub. 130	15000	15000	14000	14000	14000	13000	445
A13010994	Tub. 130	16000	16000	14500	15000	15000	14000	415
A15010994	Tub. 150	16000	16000	14500	15000	15000	14000	585
A15010998	Tub. 150	18500	18500	17000	17500	17500	16000	550

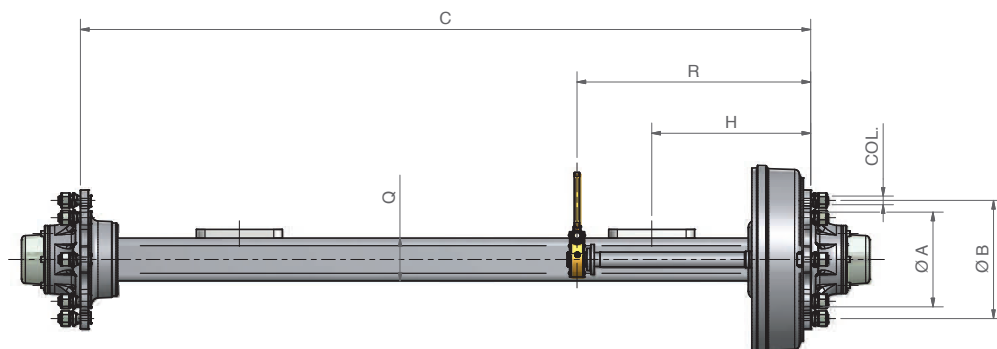
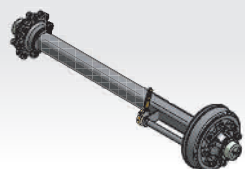
R = Contattare il nostro ufficio commerciale per la misura del perno oliva. R = Please take contact with our sales department for the measure of the camshaft.

## Assali quadri \_ Square axles

60-80 km/h



QUADRI - SQUARES



CODICE Code	Q QUADRO Square (mm)	60 km/h			80 km/h			H SBALZO Overhang (mm)
		2 ASSI Axles (kg) 	MONO mono (kg) 	TANDEM Tandem (kg) 	2 ASSI Axles (kg) 	MONO mono (kg) 	TANDEM Tandem (kg) 	
A04005520	40	1600	1600	1450				140
A04505530	45	1950	1950	1750				155
A05005540	50	2500	2500	2250				165
A05006540	50	2500	2500	2250				165
A05505540	55	2500	2500	2250				220
A05506630	55	3000	3000	2750				185
A06006640	60	3800	3800	3500				190
A07006645	70	4300	4300	3850				255
A07006660	70	6000	6000	5400	5400	5400	4800	185
A07008660	70	6000	6000	5400	5400	5400	4800	185
A08006660	80	6000	6000	5400	5400	5400	4800	335
A08008660	80	6000	6000	5400	5400	5400	4800	335
A08006668	80	7000	7000	6300	6300	6300	5700	290
A08008668	80	7000	7000	6300	6300	6300	5700	290
A08006671	80	8500	8500	7700	7700	7700	7000	240
A08008671	80	8500	8500	7700	7700	7700	7000	240
A09006671	90	8500	8500	7700	7700	7700	7000	330
A09008671	90	8500	8500	7700	7700	7700	7000	330
A09008880	90	9500	9500	8500	8500	8500	7500	295
A09010880	90	9500	9500	8500	8500	8500	7500	295
A10008880	100	9500	9500	8500	8500	8500	7500	400
A10010880	100	9500	9500	8500	8500	8500	7500	400
A10008899	100	12000	12000	11000	11000	11000	10000	320
A10010899	100	12000	12000	11000	11000	11000	10000	320
A11010991	110	13000	13000	12000	12000	12000	11000	370
A11010994	110	14000	14000	13000	13000	13000	12000	340
A12008880	Tub. 120	9500	9500	8500	8500	8500	7500	475
A12010880	Tub. 120	9500	9500	8500	8500	8500	7500	475
A12008899	Tub. 120	12000	12000	11000	11000	11000	10000	375
A12010899	Tub. 120	12000	12000	11000	11000	11000	10000	375
A13008899	Tub. 130	12000	12000	11000	11000	11000	10000	480
A13010899	Tub. 130	12000	12000	11000	11000	11000	10000	480
A13010991	Tub. 130	13000	13000	12000	12000	12000	11000	445
A13010994	Tub. 130	14000	14000	13000	13000	13000	12000	415
A15010994	Tub. 150	14000	14000	13000	13000	13000	12000	585
A15010998	Tub. 150	16000	16000	15000	14500	14500	14000	560

R = Contattare il nostro ufficio commerciale per la misura del perno oliva. R = Please take contact with our sales department for the measure of the camshaft.